
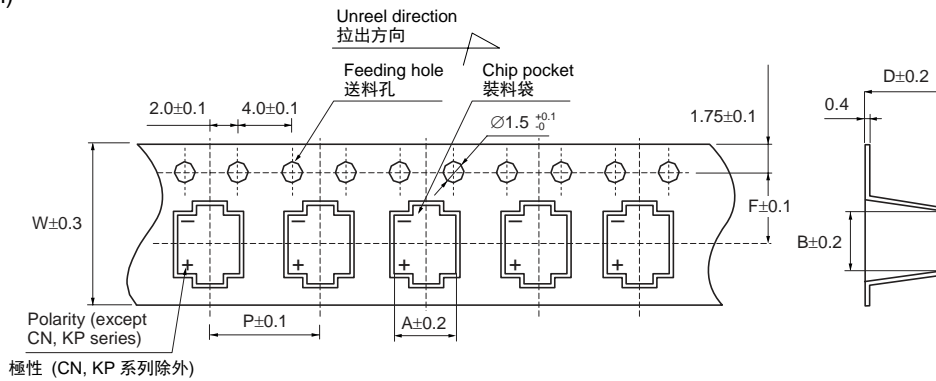


TAPING & PACKAGING SPECIFICATIONS 編帶與包裝標準

□ For Chip Type Capacitors 適用於貼片式電容器 

■ Carrier Tape Dimensions 載帶尺寸

● $\varnothing 4 \sim \varnothing 10$ (mm)

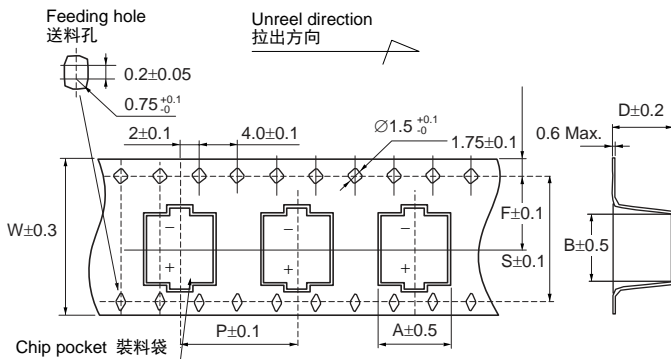


Dimension 尺寸表

(Unit: mm)

$\varnothing D \times L$	4×5.4/5.8	5×5.5/4.8/9	6.3×5.4/6.5	6.3×7.7/9	6.3×10.5/11.5	8×6/6.7/7	8×7.7/8/9	8×10.5/12/12.5	10×8/10/10.5	10×12.7/13.5
W	12.0	12.0	16.0	16.0	16.0	24.0	24.0	24.0	24.0	24.0
P	8.0	12.0	12.0	12.0	12.0	12.0	12.0	16.0	16.0	16.0
F	5.5	5.5	7.5	7.5	7.5	11.5	11.5	11.5	11.5	11.5
A	5.0	6.0	7.0	7.0	7.0	8.7	8.7	8.7	10.7	10.7
B	5.0	6.0	7.0	7.0	7.0	8.7	8.7	8.7	10.7	10.7
D	5.9/5.9	5.9/5.9/8.1/9.2	5.9/6.9	8.2/9.9	11.0/12.5	6.8/6.8/7.5	8.2/8.2/9.9	11.0/12.5/13.0	8.4/11.0/11.0	13.0/13.0

● $\varnothing 12.5 \sim \varnothing 18$ (mm)

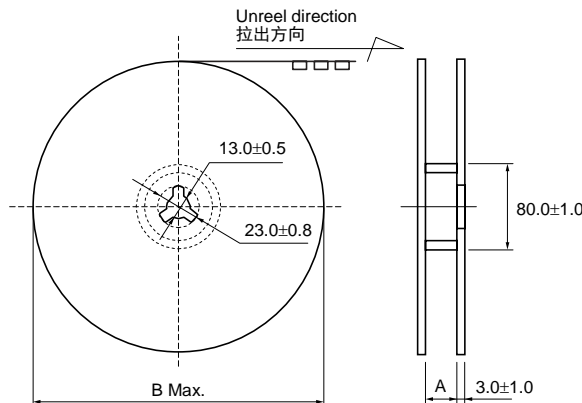


Dimension 尺寸表

(Unit: mm)

$\varnothing D \times L$	12.5×13.5	12.5×16	16×16.5	18×16.5, 18.5
W	32.0	32.0	44.0	44.0
P	24.0	24.0	28.0	32.0
F	14.2	14.2	20.2	20.2
A	14.0	14.0	17.5	19.5
B	14.0	14.0	17.5	19.5
D	14.0	17.5	17.5	17.5/20.5
S	28.4	28.4	40.4	40.4

■ Reel Dimensions 卷盤尺寸



(Unit: mm)

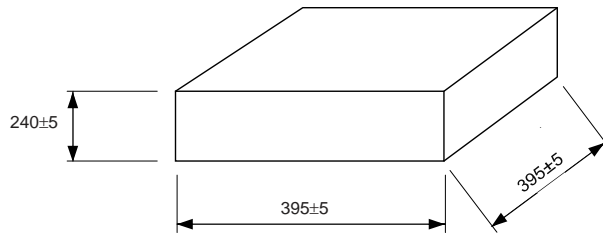
$\varnothing D$	$\varnothing 4, \varnothing 5$	$\varnothing 6.3$	$\varnothing 8, \varnothing 10$	$\varnothing 12.5$	$\varnothing 16, \varnothing 18$
A±1.0	14	17	25.5	34.5	44
B (Max.)	382	382	382	382	382

Note: All design and specifications are for reference only and is subject to change without prior notice. If any doubt about safety for your application, please contact us immediately for technical assistance before purchase.

注：以上所提供的設計及特性參數僅供參考，任何修改不作預先通知。如果在使用上有疑問，請在採購前與我們聯繫，以便提供技術上的協助。

CAT.2019/V4

■ Packaging Box 包裝箱



■ Packaging Quantity 包裝數量

□ For Chip Type Aluminum Electrolytic Capacitors 適用於貼片式鋁電解電容器

Case Size ∅D × L (mm) 尺寸	Quantity/Reel (pcs) 數量/卷 (個)	Reels/Box 卷盤/箱	Quantity/Carton (pcs) 數量/外箱 (個)
4 × 5.4, 5.8	2,000*	12	24,000
5 × 5.4, 5.8	1,000*	12	12,000
6.3 × 5.4, 5.8, 7.7	1,000*	10	10,000
6.3 × 10.5	750*	10	7,500
6.3 × 11.5	500*	10	5,000
8 × 6.2	1,000*	10	10,000
8 × 10.5, 12.5	500*	7	3,500
10 × 10.5, 13.5	500*	7	3,500
12.5 × 13.5	250*	6	1,500
12.5 × 16	200*	6	1,200
16 × 16.5	125*	4	500
18 × 16.5, 18.5	100*	4	400

□ For Chip Type Conductive Polymer Aluminum Solid Electrolytic Capacitors & Chip Type Conductive Polymer Hybrid Aluminum Electrolytic Capacitors
適用於貼片式導電性高分子固態鋁電解電容器及貼片式導電性高分子混合型鋁電解電容器

Case Size ∅D × L (mm) 尺寸	Quantity/Reel (pcs) 數量/卷 (個)	Reels/Box 卷盤/箱	Quantity/Carton (pcs) 數量/外箱 (個)
4 × 5.5	2,000*	12	24,000
5 × 5.5~8	1,000*	12	12,000
5 × 9	750*	12	9,000
6.3 × 5.5~8	1,000*	10	10,000
6.3 × 9~9.5	750*	10	7,500
8 × 6.7~7.7	1,000*	7	7,000
8 × 8~12	500*	7	3,500
10 × 8~13	500*	7	3,500

* Minimum package quantity *最小包裝數量

- There are some differences between actual package quantity and above list. Please confirm before you order.
- Please order by minimum package quantity.
- 以上包裝標準可能會與實際的包裝數量有所不同，請在訂購前確認。
- 請以最小包裝數量訂購。

Note: All design and specifications are for reference only and is subject to change without prior notice. If any doubt about safety for your application, please contact us immediately for technical assistance before purchase.

注: 以上所提供的設計及特性參數僅供參考，任何修改不作預先通知。如果在使用上有疑問，請在採購前與我們聯繫，以便提供技術上的協助。

CAT.2019/V4